

MINID Series

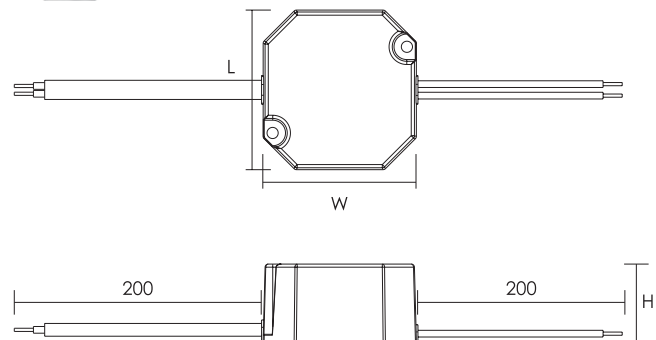
TRIAC Dimming LED Driver

可控硅调光LED驱动器

Features:

- Super compact design
- Dimmable constant voltage driver
- Analogue flicker-free
- Dimming with leading edge or trailing edge dimmer
- Smooth dimming compatible with most dimmer
- Dimming range 1...100%
- Primary and secondary sides come with leads
- Protections: opencircuit, shortcircuit, overload, over temperature
- SELV equivalent
- Protection class II

- 紧凑型设计
- 可调光恒压驱动
- 无频闪
- 适用可控硅前切相或后切相调光器
- 平滑高性能调光，匹配更多的调光器
- 调光范围1...100%光通量
- 输入和输出引线型
- 输出开路、短路，过载和过温保护
- 符合安全特低电压标准
- 保护等级 II



Parameters:

Model No.	Input voltage	Max. output	Output current	Output voltage	Power factor	Efficiency full load	Ambient temperature	Max. casing temperature	Isolation	Dimensions LxWxH	Weight
型号	额定电压 (V)	功率 (W)	输出电流 (A)	输出电压 (V)	功率因数 (λ)	效率 (%)	环境温度 t_a (°C)	最大外壳温度 t_c (°C)	隔离	尺寸 (mm)	重量 (g)
MINID12-12	220-240	12	0.2-1.0	12	0.95	81	-20...+50	80	SELV	50x48x24	90
MINID24-12	220-240	12	0.1-0.5	24	0.95	82	-20...+50	80	SELV	50x48x24	90