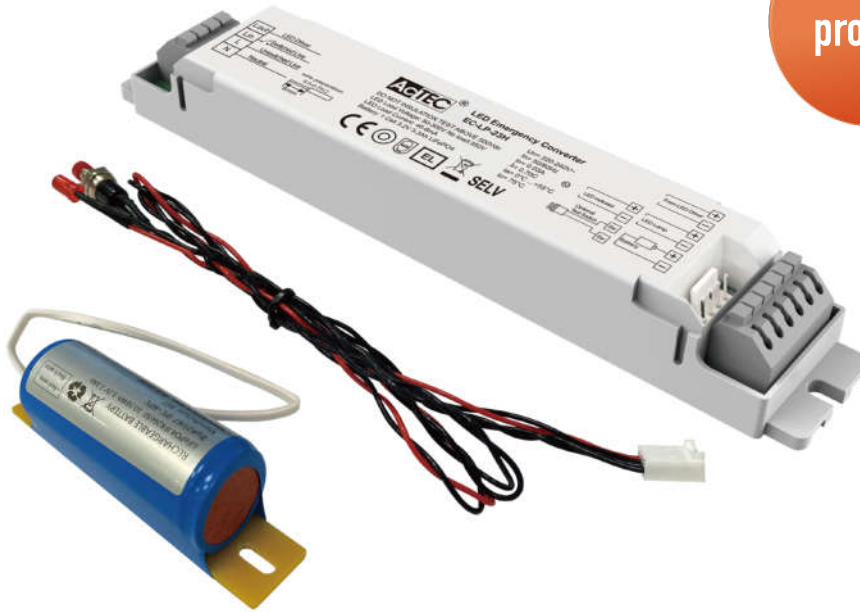


EC-LP Series

LED Emergency Converter

LED应急转换器



LiFePO4

Features:

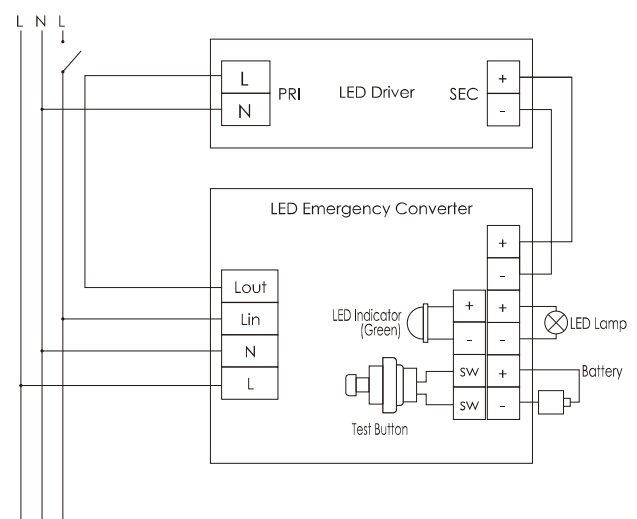
- Self-contained emergency lighting LED driver for manual testing
- Intelligent automatic recharging function
- Constant power output
- For LED modules with a forward voltage 50-300V
- Low profile casing (21 x 30 mm cross-section)
- 3h emergency operation
- Lithium batteries (LiFePO4)
- Over discharge protection
- Test button and charging indicator
- Optional built-in or independent
- Protection class II

- 用于手动测试的自给式应急照明LED驱动器
- 智能自动充电功能
- 恒定输出功率
- 匹配50-300V的LED光源
- 薄型外壳（横截面积21x30mm）
- 3小时应急照明
- 锂电池(LiFePO4)
- 电池过放保护
- 测试按钮和充电指示灯
- 可选内装式和独立式
- 保护等级II

Product applications:



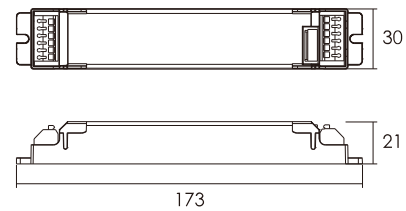
Unswitch Switch



Parameters:

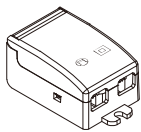
Technical Data 技术参数	EC-LP-23H	EC-LP-30H	EC-LP-32H	EC-LP-40H
Rated supply voltage 额定电压	220-240V~	220-240V~	220-240V~	220-240V~
Frequency 额定频率	50/60Hz	50/60Hz	50/60Hz	50/60Hz
Input current 输入电流	30mA	30mA	30mA	40mA
Input power 输入功率	3.5W	3.5W	3.5W	4W
Power factor 功率因数	0.70C	0.70C	0.70C	0.70C
Response time 响应时间	<0.5S	<0.5S	<0.5S	<0.5S
Charge current 充电电流	280mA	280mA	280mA	380mA
Recharge hours 充电时间	16h	16h	16h	16h
Emergency LED current 应急电流	48-8mA	60-10mA	64-11mA	80-13mA
Emergency LED voltage 应急电压	50-300V	50-300V	50-300V	50-300V
Emergency LED power 应急功率	2.3W	3.0W	3.2W	4.0W
Emergency LED power time 应急时间	3h	3h	3h	3h
Ambient temperature ta 环境温度	0...+55°C	0...+55°C	0...+55°C	0...+55°C
Max. casing temperature tc 最大外壳温度	75°C	75°C	75°C	75°C
Battery type 电池	LiFePO4 3.2V 3.3Ah	LiFePO4 3.2V 4.5Ah	LiFePO4 3.2V 4.5Ah	LiFePO4 3.2V 6.6Ah
Material 材质	PC	PC	PC	PC
Dimensions LxWxH 尺寸	173x30x21mm	173x30x21mm	173x30x21mm	173x30x21mm
Fixing centre D 安装孔距	164mm	164mm	164mm	164mm

Line drawing(mm):

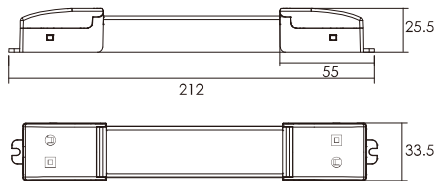


Optional accessories

Strain relief:



AC-SR01



AC-SR01 CLIP-ON PA(pre assembled)

Test Button & Status Indication LED

