

LCM-45 EC Series

Combined Emergency Lighting LED Driver

集成应急照明LED驱动器



Features:

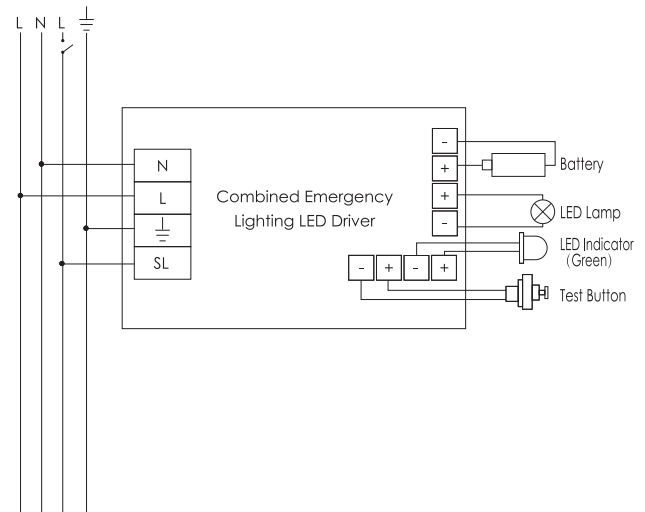
- Combined emergency LED driver for manual testing
- For self-contained emergency lighting
- Configurable constant current output via dip-switch
- Flicker-free
- For LED modules with a forward voltage 15-48V
- LED charge status display
- Lithium batteries (LiFePO4)
- Constant power output in emergency mode
- Overcharge/overdischarge protection
- Test button and charging indicator
- Protections: opencircuit, shortcircuit, overload, overtemperature
- SELV equivalent
- For use in luminaires of protection class I
- Protection class I

- 具有手动测试功能的组合式应急LED驱动
- 适用于电池供电应急照明
- 通过拨码开关选择输出电流
- 无频闪
- 匹配15-48V的LED光源
- 锂电池(LiFePO4)
- 应急模式下恒功率输出
- 过度充电/放电保护
- 测试按钮和充电指示灯
- 输出开路, 短路, 过载和过温度保护
- 符合安全特低电压标准
- 适用I类灯具
- 保护等级I

Product applications:



Unswitch Switch



Parameters:

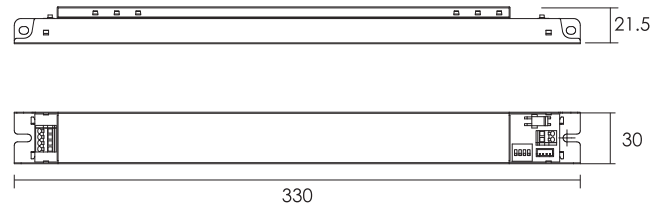
Technical Data 技术参数

Model No. 型号	Input voltage 额定电压 (V)	Max. output power 功率 (W)	Output current 输出电流 (mA)	Output voltage 输出电压 (V)	Power factor 功率因数 (λ)	Efficiency full load 效率 (%)	Ambient temperature 环境温度 ta (°C)	Max. casing temperature 最大外壳温度 tc (°C)	Isolation 隔离	Dimensions LxWxH 尺寸 (mm)	Weight 重量 (g)
LCM-45	220-240	35	700	15-48	0.95	84	0...+50	85	SELV	330x30x21.5	245
		37.5	750	15-48	0.95	84					
		40	800	15-48	0.95	84					
		42.5	850	15-48	0.95	84					
		45	900	15-48	0.95	85					
		45	950	15-48	0.95	85					
		45	1000	15-45	0.95	85					
		45	1050	15-43	0.95	85					

Specific Technical Data 技术参数详情

Type 产品型号	LCM-45 EC23	LCM-45 EC30	LCM-45 EC32	LCM-45 EC40
Response time 响应时间	<0.5S	<0.5S	<0.5S	<0.5S
Charge current 充电电流	280mA	280mA	280mA	280mA
Recharge hours 充电时间	16h	16h	16h	16h
Emergency LED current 应急电流	230-47mA	300-62mA	320-66mA	400-83mA
Emergency LED voltage 应急电压	15-48V	15-48V	15-48V	15-48V
Emergency LED power 应急功率	2.3W	3.0W	3.2W	4.0W
Emergency LED power time 应急时间	1.5h	1.5h	1.5h	1.5h
Battery type 电池	LiFePO4 3.2V 3300mAh	LiFePO4 3.2V 4500mAh	LiFePO4 3.2V 4500mAh	LiFePO4 3.2V 6600mAh

Line drawing(mm):



Test Button & Status Indication LED

